

# LSB-B LEVER HOIST

**CAPACITIES**

3/4 to 6 Tons

**LIFTS**

Standard Lifts of 5, 10, 15 & 20 ft.

**SPECIFICATIONS**

- Disc-Type Brake
- Meets ASME B30.21 – Manually Operated Hoist Standard
- Lifetime Warranty
- Self-Colored Chain



The Coffing LSB is a durable lever hoist suitable for numerous in-house and field applications. With a lightweight steel housing, the LSB is the preferred hoist of many utility professionals.

**FEATURES & BENEFITS**

**FREE CHAINING**

State-of-the-art, free-wheeling mechanism allows for quick and easy one handed take up and positioning of slack chain.

**RUGGED AND LIGHT WEIGHT**

Unit and handle made from high-strength, ductile aluminum alloy.

**360° ROTATING HANDLE**

Provides versatile rigging options when used in confined spaces.

**POSITIVE LOAD CONTROL**

The disc brake stays clean and dry, eliminating drifting and backlash for safe and secure load holding.

**LOW MAINTENANCE**

Hardened steel load chain provides high strength and resists wear.

**ALLOY GEARS**

The alloy steel gearing is heat treated for long life and is lifetime lubricated.

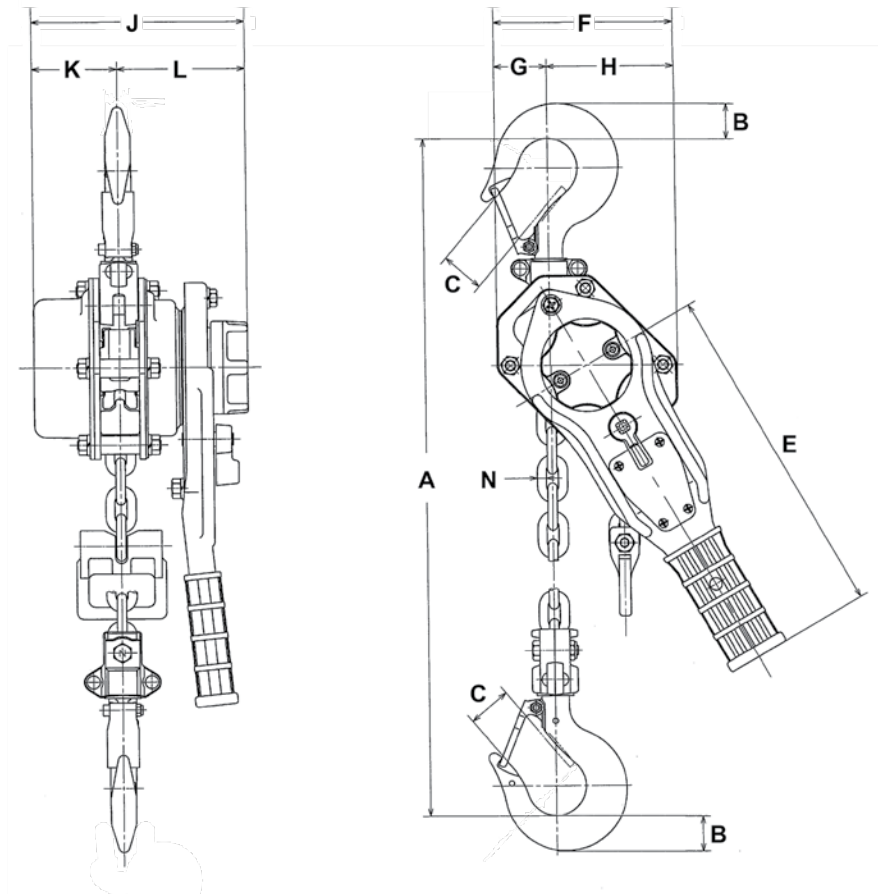
**OPTIONS**

- Load Limiter

**SPECIFICATIONS**

Capacity		Model Number	Lift (ft.)*	Strands of Load Chain	Minimum Distance Between Hooks (in.)	Handle Length (in.)	Average Handle Effort (lbs.)	Net Weight (lbs.)
(lbs.)	(Ton)							
1500	3/4	LSB-1500B-5	5	1	11-5/8	9-1/4	46	12
1500	3/4	LSB-1500B-10	10	1	11-5/8	9-1/4	46	14
1500	3/4	LSB-1500B-15	15	1	11-5/8	9-1/4	46	16
1500	3/4	LSB-1500B-20	20	1	11-5/8	9-1/4	46	18
2,000	1	LSB-2000B-5	5	1	12-2/5	9-1/4	57	14
2,000	1	LSB-2000B-10	10	1	12-2/5	9-1/4	57	16
2,000	1	LSB-2000B-15	15	1	12-2/5	9-1/4	57	18
2,000	1	LSB-2000B-20	20	1	12-2/5	9-1/4	57	20
3000	1-1/2	LSB-3000B-5	5	1	13	14-9/16	59	21
3000	1-1/2	LSB-3000B-10	10	1	13	14-9/16	59	24
3000	1-1/2	LSB-3000B-15	15	1	13	14-9/16	59	27
3000	1-1/2	LSB-3000B-20	20	1	13	14-9/16	59	30
6000	3	LSB-6000B-5	5	1	16-5/16	14-9/16	75	35
6000	3	LSB-6000B-10	10	1	16-5/16	14-9/16	75	40
6000	3	LSB-6000B-15	15	1	16-5/16	14-9/16	75	45
6000	3	LSB-6000B-20	20	1	16-5/16	14-9/16	75	50
12000	6	LSB-12000B-5	5	2	22-3/4	14-9/16	76	67
12000	6	LSB-12000B-10	10	2	22-3/4	14-9/16	76	77
12000	6	LSB-12000B-15	15	2	22-3/4	14-9/16	76	88
12000	6	LSB-12000B-20	20	2	22-3/4	14-9/16	76	99

\* Standard lifts shown. Other lifts available - consult factory.



**DIMENSIONS**

Capacity (Ton)	Model Number	Lift (ft.)*	Dimensions (in.)										
			A	B	C	E	F	G	H	J	K	L	N
3/4	LSB-1500B-5	5	11-5/8	13/16	15/16	9-1/4	4.72	1.50	3.22	5.59	2.06	3.54	ø5.6mmx1
3/4	LSB-1500B-10	10	11-5/8	13/16	15/16	9-1/4	4.72	1.50	3.22	5.59	2.06	3.54	ø5.6mmx1
3/4	LSB-1500B-15	15	11-5/8	13/16	15/16	9-1/4	4.72	1.50	3.22	5.59	2.06	3.54	ø5.6mmx1
3/4	LSB-1500B-20	20	11-5/8	13/16	15/16	9-1/4	4.72	1.50	3.22	5.59	2.06	3.54	ø5.6mmx1
1	LSB-2000B-5	5	11 5/8	13/16	15/16	9 1/4	4.72	1.50	3.22	5.59	2.06	3.54	ø5.6mmx1
1	LSB-2000B-10	10	11 5/8	13/16	15/16	9 1/4	4.72	1.50	3.22	5.59	2.06	3.54	ø5.6mmx1
1	LSB-2000B-15	15	11 5/8	13/16	15/16	9 1/4	4.72	1.50	3.22	5.59	2.06	3.54	ø5.6mmx1
1	LSB-2000B-20	20	11 5/8	13/16	15/16	9 1/4	4.72	1.50	3.22	5.59	2.06	3.54	ø5.6mmx1
1-1/2	LSB-3000B-5	5	13	1-1/16	1-1/4	14-9/16	5.45	1.62	3.83	6.42	2.54	3.87	ø7.1mmx1
1-1/2	LSB-3000B-10	10	13	1-1/16	1-1/4	14-9/16	5.45	1.62	3.83	6.42	2.54	3.87	ø7.1mmx1
1-1/2	LSB-3000B-15	15	13	1-1/16	1-1/4	14-9/16	5.45	1.62	3.83	6.42	2.54	3.87	ø7.1mmx1
1-1/2	LSB-3000B-20	20	13	1-1/16	1-1/4	14-9/16	5.45	1.62	3.83	6.42	2.54	3.87	ø7.1mmx1
3	LSB-6000B-5	5	16-15/16	1-7/32	1-7/32	14-9/16	7.00	2.10	4.90	7.28	3.22	4.03	ø9mmx1
3	LSB-6000B-10	10	16-15/16	1-7/32	1-7/32	14-9/16	7.00	2.10	4.90	7.28	3.22	4.03	ø9mmx1
3	LSB-6000B-15	15	16-15/16	1-7/32	1-7/32	14-9/16	7.00	2.10	4.90	7.28	3.22	4.03	ø9mmx1
3	LSB-6000B-20	20	16-15/16	1-7/32	1-7/32	14-9/16	7.00	2.10	4.90	7.28	3.22	4.03	ø9mmx1
6	LSB-12000B-5	5	22-3/4	1-3/4	1-3/4	14-9/16	10.20	3.34	6.86	7.28	3.22	4.03	ø9mmx2
6	LSB-12000B-10	10	22-3/4	1-3/4	1-3/4	14-9/16	10.20	3.34	6.86	7.28	3.22	4.03	ø9mmx2
6	LSB-12000B-15	15	22-3/4	1-3/4	1-3/4	14-9/16	10.20	3.34	6.86	7.28	3.22	4.03	ø9mmx2
6	LSB-12000B-20	20	22-3/4	1-3/4	1-3/4	14-9/16	10.20	3.34	6.86	7.28	3.22	4.03	ø9mmx2

\* Standard lifts shown. Other lifts available - consult factory.